



# BassLink™ LC

instructions

**Thank you** for choosing the Infinity BassLink LC. BassLink LC has been designed to enhance the performance of BassLink by adding remote level control to the long list of BassLink features. Although these instructions explain how to install the BassLink LC in a general sense, they do not show the specific installation methods for your particular vehicle. If you feel you do not have the necessary tools or experience, do not attempt the installation yourself; rather, ask your authorized Infinity car audio dealer about professional installation options.

Remember to keep this manual and your sales receipt in a safe place for future reference.

**WARNING:** Playing loud music in an automobile can permanently damage your hearing, as well as hinder your ability to hear traffic. We recommend using low volume levels while driving. Infinity accepts no liability for hearing loss, bodily injury or property damage resulting from the use or misuse of this product.

## INSTALLATION

---

BassLink LC may be mounted under the dash or may be dismantled and mounted in the dash for a factory appearance.

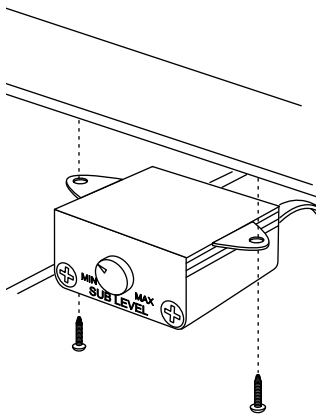
### **Under-Dash Mounting:**

Select a mounting location that allows easy access to the control while driving. Using the BassLink LC as a template, mark and drill holes in the mounting surface. Attach BassLink LC using the mounting screws provided (Figure 1).

### **In-Dash Mounting:**

Disassemble BassLink LC by removing the two Phillips-head screws on the front panel, rear panel and on top. Remove BassLink LC's bottom and side panels. Slide BassLink LC's PC board forward to release the RJ11 connector from the back panel and remove the board along with the potentiometer, knob, and connector as a single assembly.

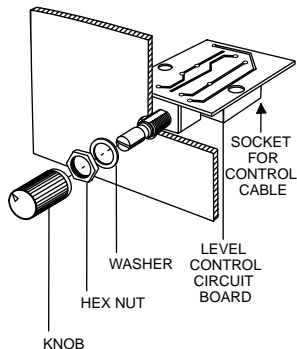
**Figure 1.**



## CONNECTING BASSLINK LC TO BASSLINK

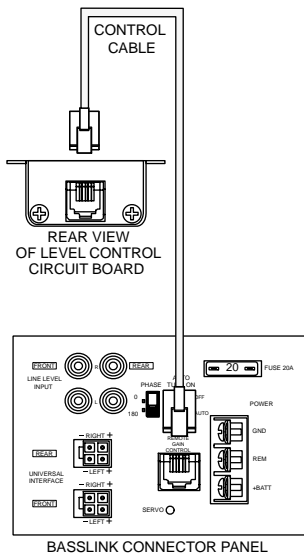
Choose a mounting location that allows easy access to the control, and provides 1-3/4" clearance behind the mounting surface. Drill a 9/32" hole in the mounting surface. Feed the BassLink LC's potentiometer (with the knob removed) through the hole and use the nut provided to hold the control in place (Figure 2).

**Figure 2.**



Route the cable behind the dash or other interior panels and under the carpet. Do not route the cable outside the vehicle. Connect the RJ11 cable between the RJ11 receptacle on the BassLink and the receptacle on BassLink LC (Figure 3).

**Figure 3.**



## DIMENSIONS

---

2-3/16" x 2-5/16" x 7/8" (with housing)

2-3/16 x 1-5/16" x 3/4" (without housing)

### Declaration of Conformity



We, Harman Consumer International  
2, route de Tours  
72500 Chateau-du-Loir  
FRANCE

declare in own responsibility, that the  
product described in this owner's manual  
is in compliance with technical standards:

EN 55013/A12/8.1994  
EN 55020/12.1994

A handwritten signature in black ink, appearing to read 'Lutz Uphoff', is written over a light grey background.

Lutz Uphoff  
Harman Consumer International  
Chateau du Loir, France. 12/00



Infinity Systems, Inc. • 250 Crossways Park Drive, Woodbury, NY 11797 USA

(800) 553-3332 • FAX (516) 682-3523 • [www.infinitysystems.com](http://www.infinitysystems.com)

© 2000 Infinity Systems, Inc. • P/N: BASSLINKLCOM • Printed 12/00

**H** A Harman International Company